

Technical data sheet

Product features



Chip scuttle heated from above and bellow infrared heat lamp

Model	SAP Code	00007473
--------------	-----------------	----------



- Drain: No
- Maximum device temperature [°C]: 90
- Minimum device temperature [°C]: 30
- Material: AISI 304
- Heating location: Upper and lower
- Ignition: Electric

SAP Code	00007473	Loading	230 V / 1N - 50 Hz
Net Width [mm]	400	Number of basins	1
Net Depth [mm]	600	Width of internal part [mm]	305
Net Height [mm]	250	Depth of internal part [mm]	510
Net Weight [kg]	22.00	Height of internal part [mm]	165
Power electric [kW]	1.470		

Technical data sheet

Technical drawing

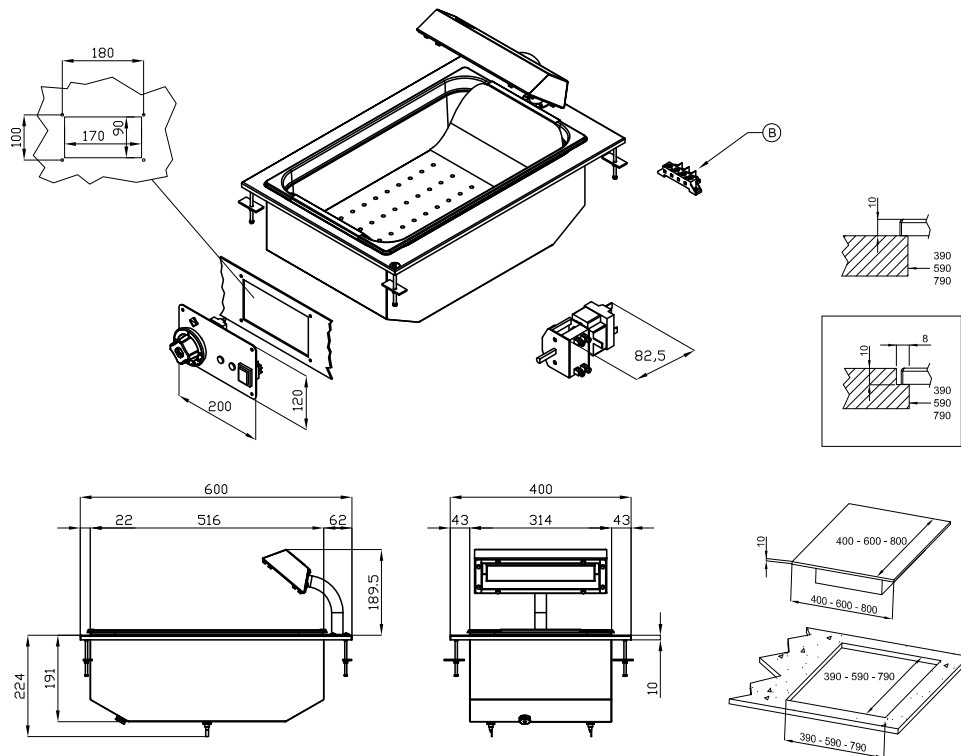


Chip scuttle heated from above and bellow infrared heat lamp

Model

SAP Code

00007473



A	Data plate	B	Electrical connection
---	------------	---	-----------------------

Technical data sheet

Technical parameters



Chip scuttle heated from above and bellow infrared heat lamp

Model

SAP Code

00007473

1. SAP Code:

00007473

2. Net Width [mm]:

400

3. Net Depth [mm]:

600

4. Net Height [mm]:

250

5. Net Weight [kg]:

22.00

6. Gross Width [mm]:

430

7. Gross depth [mm]:

630

8. Gross Height [mm]:

470

9. Gross Weight [kg]:

28.00

10. Device type:

Electric unit

11. Construction type of device:

Drop-in

12. Power electric [kW]:

1.470

13. Loading:

230 V / 1N - 50 Hz

14. Ignition:

Electric

15. Protection of controls:

IPX5

16. Material:

AISI 304

17. Indicators:

operation and warm-up

18. Device heating type:

Infrared emitter

19. Basin dimensions [mm x mm x mm]:

305 x 510 x 165

20. Maximum device temperature [°C]:

90

21. Minimum device temperature [°C]:

30

22. Power control type:

knob control

23. Safety thermostat:

Yes

24. Adjustable feet:

No

25. Additional information:

perforated double liner

26. False bottom:

Yes

27. Number of basins:

1

28. Drain:

No

Technical data sheet

Technical parameters



Chip scuttle heated from above and bellow infrared heat lamp

Model

SAP Code

00007473

29. GN device depth:

165

32. Depth of internal part [mm]:

510

30. Heating location:

Upper and lower

33. Height of internal part [mm]:

165

31. Width of internal part [mm]:

305